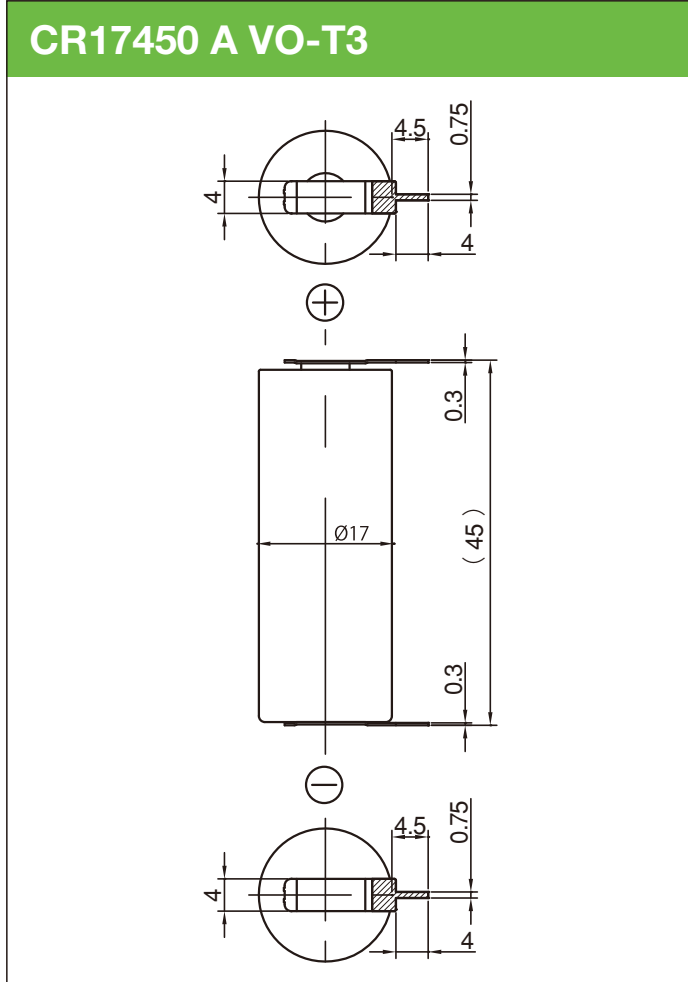


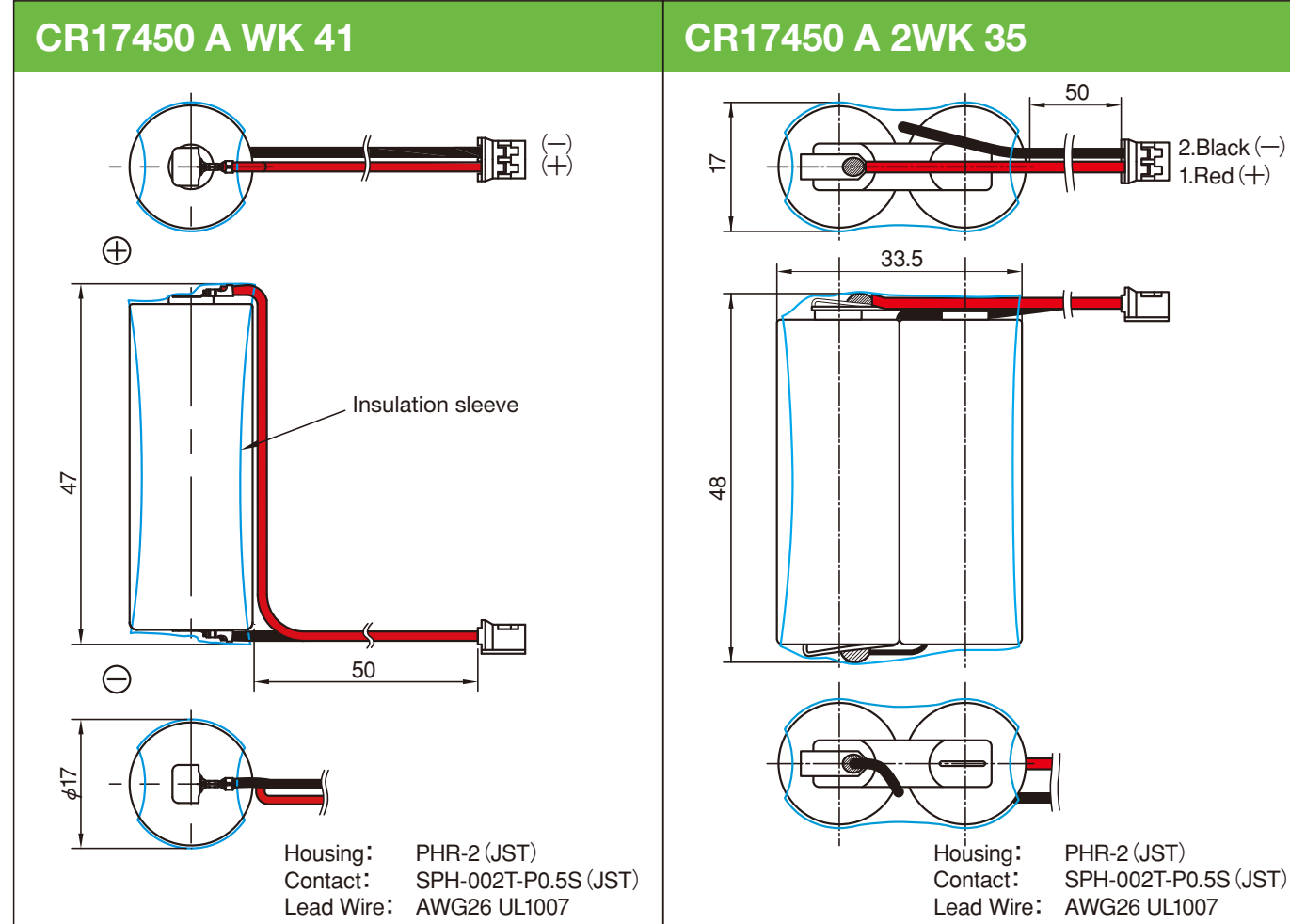
# CR17450 A (2500mAh) Diagrams of Batteries with Terminals

## External Dimensions (unit: mm)

● Horizontal & Through hole Type



● Wire connector Type



Tin plating